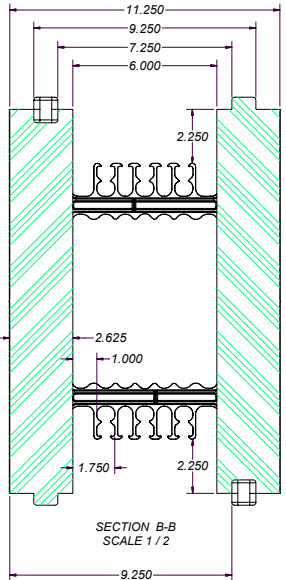
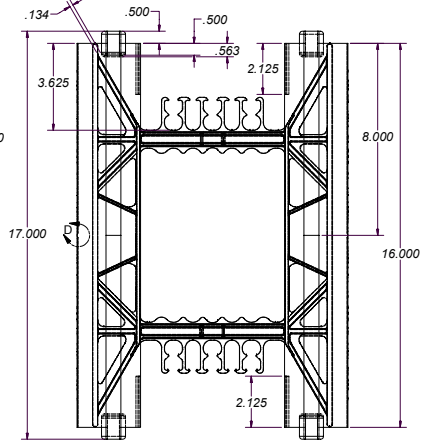
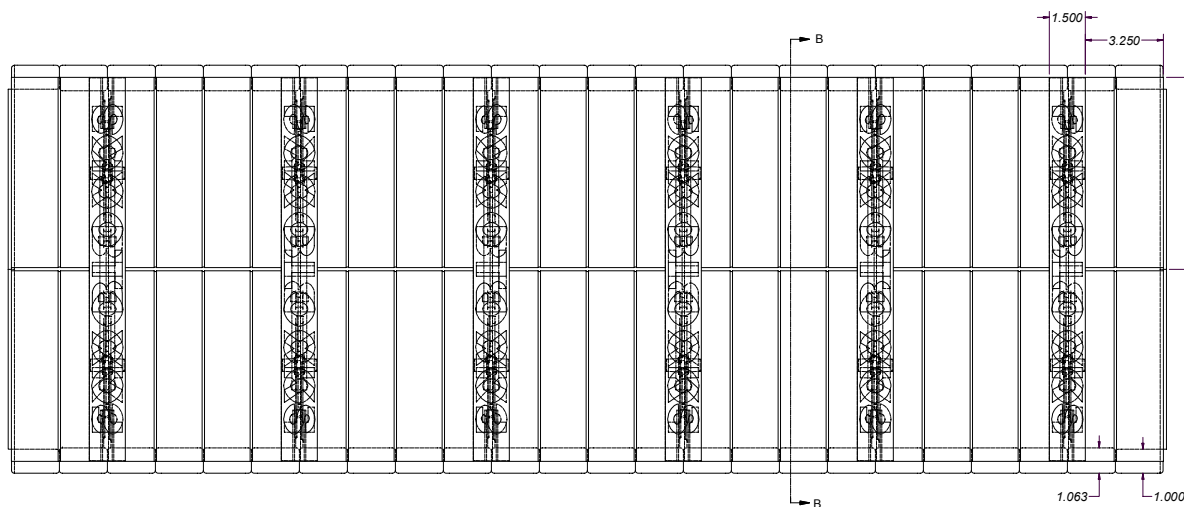
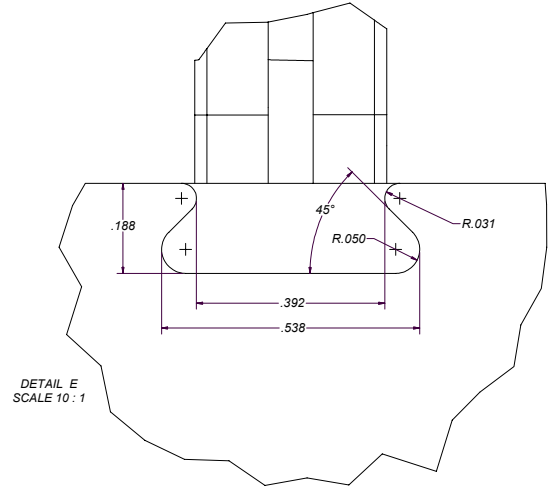


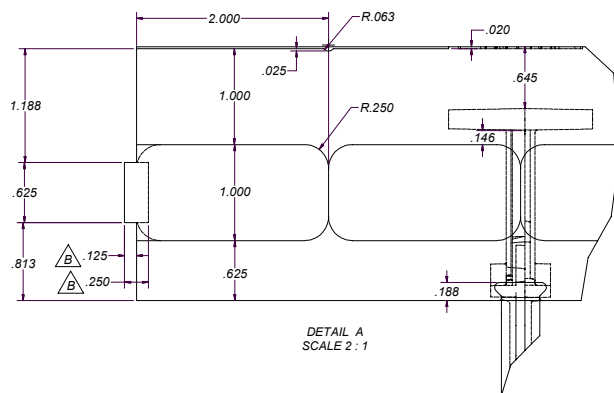
"FOX BLOCKS" ARIAL BLACK FONT-  
1.25 TALL LETTER, ROTATE 180° EVERY  
OTHER INSTANCE, 6 PLACES TOTAL



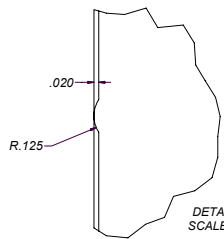
SECTION B-B  
SCALE 1/2



DETAIL E  
SCALE 10:1



DETAIL A  
SCALE 2:1



DETAIL D  
SCALE 5:1

REVISION HISTORY			
REV	DESCRIPTION	BY	DATE
A	ADDED BLOCK NAME	J.B.	9/6/2005
B	48.250 was 48.125. 250 was .125	Value	2/22/2006

THIS DRAWING, INCLUDING THE INFORMATION IT CONTAINS, IS THE PROPERTY OF AIRLITE PLASTICS COMPANY. THIS DRAWING IS LOANED STRICTLY ON THE CONDITION THAT IT WILL NOT BE REPRODUCED OR COPIED IN ANY MANNER, AND THAT THE INFORMATION IT CONTAINS WILL BE USED SOLELY IN CONNECTION WITH WORK BEING PERFORMED FOR, OR SPECIFICALLY AUTHORIZED IN WRITING BY, AIRLITE PLASTICS COMPANY.

AIRLITE PLASTICS COMPANY © 2004

DATE: 4/4/2005  
SCALE: None  
JOB/PROJECT: GAP  
DRAWN BY: J.B.  
CHECKED BY: J.B.  
MATERIAL: 2.33 DLR of EPS  
CUSTOMER: Fox Blocks  
ASSEMBLY: straight 02 R6

**Airlite Plastics Co.**  
610 Abbott Drive, Omaha NE 68110-2805  
TEL: 402.491.1111